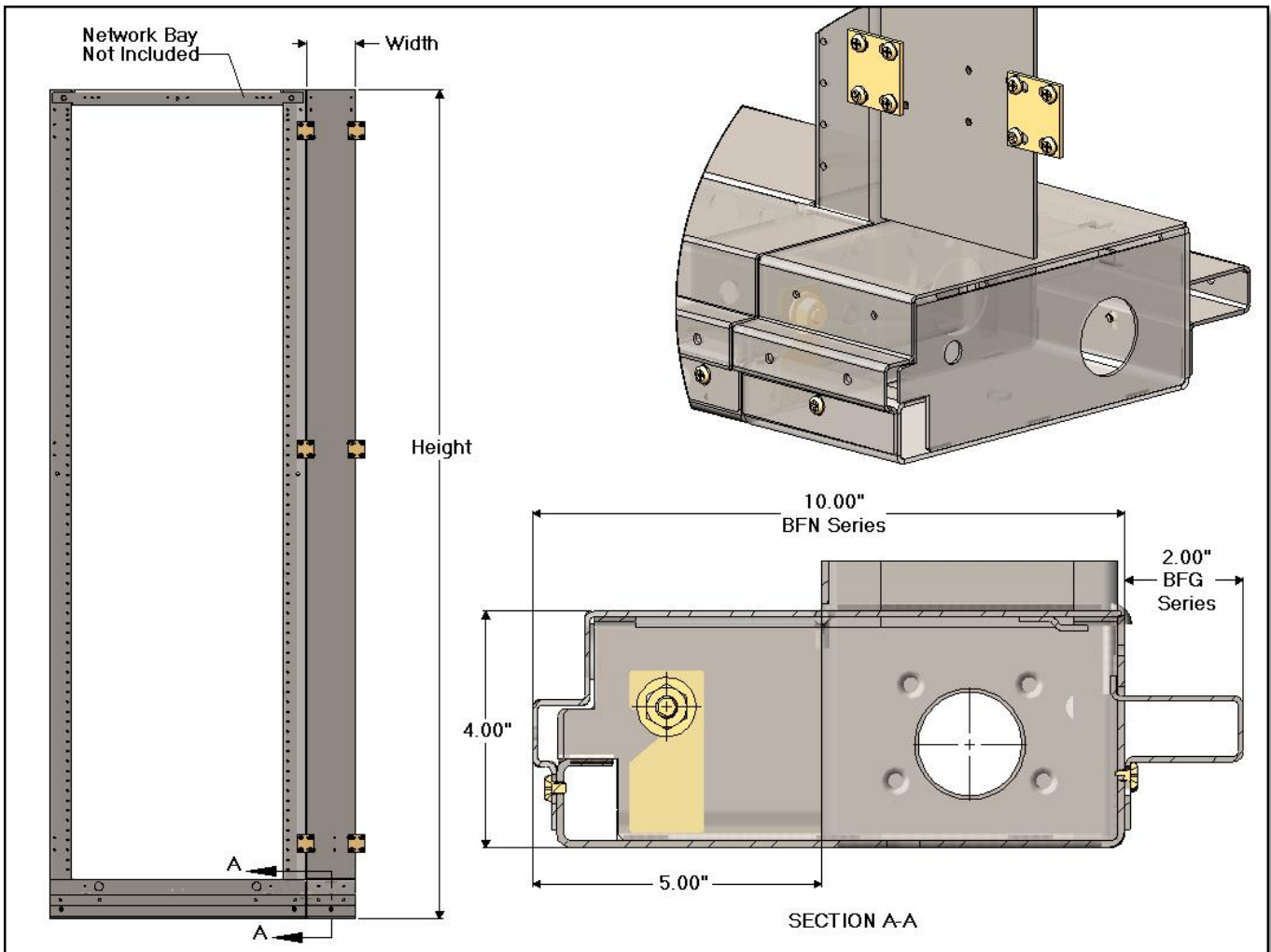




FPA Kit Series - Filler Panel Kit w/ 12.00" Depth 5+5+2 Footprint



FPA1 Series 2.50" Wide - Filler Panel Kit w/ 12.00" Depth 5+5+2 Footprint	
CSF P/N#	Filler Panel + Base Filler [Height]
FPA125xxK	84.00"
FPA135xxK	108.00"
FPA147xxK	138.00"

FPA2 Series 5.00" Wide - Filler Panel Kit w/ 12.00" Depth 5+5+2 Footprint	
CSF P/N#	Filler Panel + Base Filler [Height]
FPA225xxK	84.00"
FPA235xxK	108.00"
FPA247xxK	138.00"

Notes:

- See FPA for Filler Panel only.
- Kit includes all Mounting Hardware for Filler Panel and Base Filler.
- Other sizes and finishes available upon request.

Specifications subject to change. Please contact CSF Customer Service for more information.